

MTS 1-PHASE CONTROL AND ISOLATION TRANSFORMER

P: 25VA IN: 208...550VAC OUT: 2x115VAC

Single-phase - Control and Isolation Transformers
 25 VA
 Isolation class T 40/B
 Other voltages on request.

[Link to Product](#)**Illustration**

Product may differ from Image

Approvals**Input**

Input voltage	208, 230, 380, 400, 420, 440, 460, 480, 500, 525, 550 V AC
Input current	0.17 A (208 V AC); 0.06 A (550 V AC)
Inrush current	1.94 A (208 V AC); 0.75 A (550 V AC)
Short-circuit current	1 A (208 V AC); 0.4 A (550 V AC)
Frequency	50...60 Hz

Output

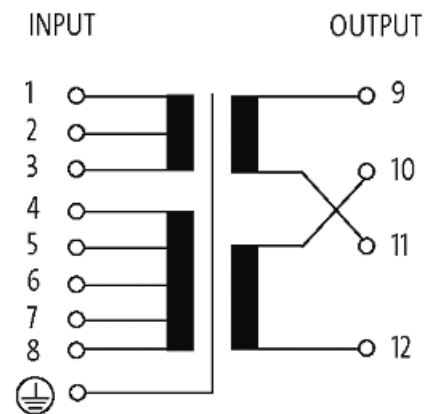
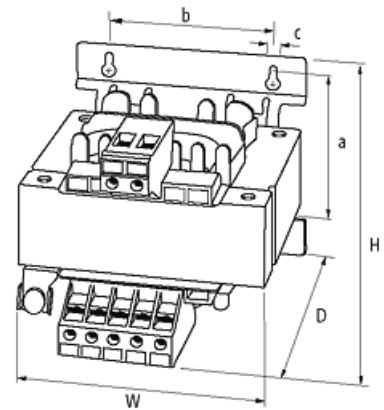
Output voltage	1 x 230, 1 x 115, 2 x 115 V AC
Output rating	25 VA

General data

Standards	EN 61558-1, EN 61558-2-4, EN 62041 category 0
Test isolation voltage	4 kV (prim./sec.)
Mounting method	Long-hole mounting or DIN-rail mountable TH35 (EN 60715)
Dimensions H×W×D	90×78×102 mm
Fixing centers a×b×c	56×56 mm
Drill hole Ø	4.8×8.4 mm
Temperature range	-20...+40 °C (storage temperature -20...+80 °C)

Commercial data

country of origin	CZ
customs tariff number	85043180
EAN	4048879444170
eClass	27031302
Packaging unit	1

Sketch

Product may differ from Image